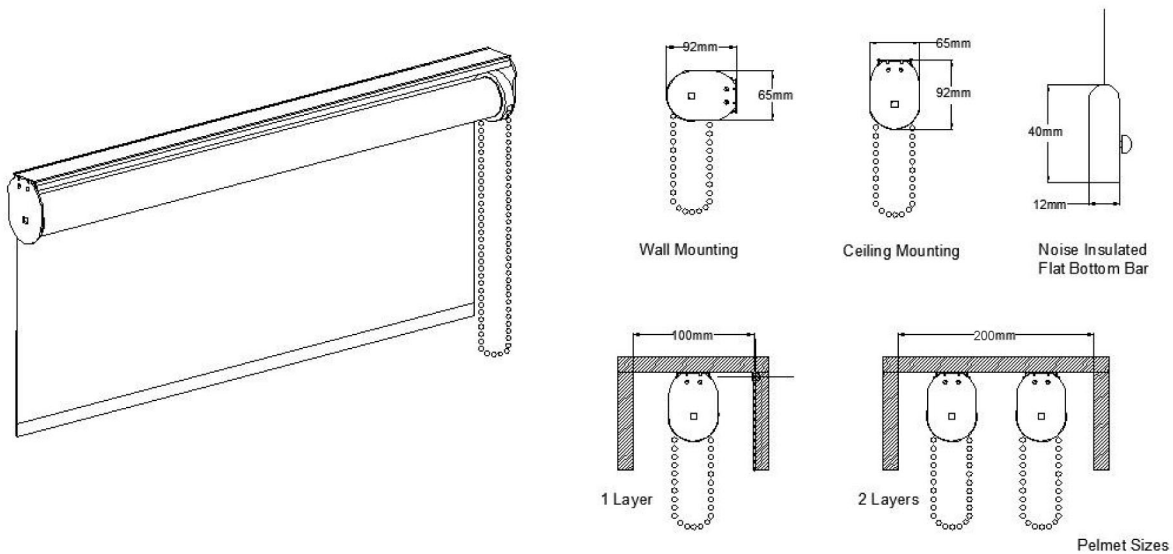


Specification

J55 Heavy Duty Chain Type

Jackson J55 heavy duty chain system is our latest powerhouse system specially designed for customer who wants to control a huge size roller blind. User can easily raise or lower the roller blinds at controlled speed using its endless ball chain. The multi gear control allows you to operate the blinds at ease despite the size of the blinds. The fabric is attached to the roller tube by means of clipping the top edge of the fabric with 1mm thickness plastic strip and secure it to the wall of the tube by sliding the strip to the groove of the roller tube. The bottom of the fabric is secured by a flat aluminum bar which holds the fabric straight and distributes the weight evenly across the shade. The back of the flat bar comes with a rubber insert which helps to minimize any noise when the bar hits any surface.



Available Sizes:	Subject to material roll width. Width: 2800mm (Max) by drop: 5000mm (Max). Max area: 8sqm
Control Unit:	The multi-gear control mechanism is made of synthetic material with low coefficient of friction and great strength. This allow easy and smooth operation despite the huge size of the blinds. The roller mechanism function with low loss of friction, low noise and easy running. A limit setting control at the end idler can be used to adjust the upper and lower limit of the blinds.
Roller Tube:	Reinforced extruded aluminum 55mm Diameter x 1.75mm thickness, provision made for mechanical engagement with the control unit, various channels to accept fabric attachment spline and slot the tube retain the fabric and control unit.
Head rail:	Extruded aluminum with white powder coated W46.2mm x 14.6mm x 1.2mm thick provided easier installation. Sleek and nice ecstatic appearance.
Flat Bottom Rail with Rubber Insulator:	Extruded flat bottom bar with white powder coated 40mm height x 12mm depth. Back of the bottom bar comes with a rubber insulator insert to minimize any noise generated when the bar come hit any surface.
Ball Chain:	2.0mm diameter nylon string comprising a core & braided jacket. The braided nylon cord with 4.5mm diameter. Acetal balls mounded coaxially to it on 11.8mm centre. The endless ball comes with 0.5m to 4m pulling length.
Bracket:	Bracket galvanized steel clip on with white finish. It has clip on type mechanism for easy mounting and dismount.
End Plug:	End plug shall be made from synthetic material ensuring minimum friction. The shape of the end plug is designed so it fits tight but can be easilsy removed if required.